

SALMET®

... for your success!

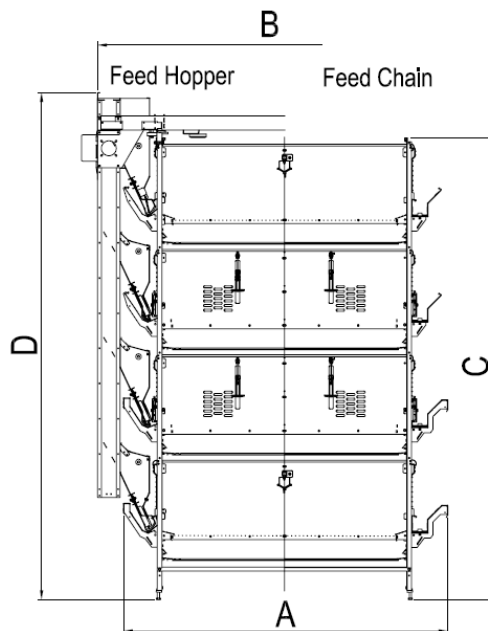
SALMET-S1000 Rearing System



... for your success!

SALMET-S1000 Rearing System

	Feed hopper				Chain feeding			
	S1000 - 680		S1000 - 615		S1000 - 680		S1000 - 615	
	standard	reinforced	standard	reinforced	standard	reinforced	standard	reinforced
Width A	1721mm 67,7"	1722mm 67,7"	1583mm 62,3"	1584mm 62,3"	1678mm 66,1"	1748mm 68,8"	1540mm 60,6"	1610mm 63,4"
Width B	2001,5mm 78,8"		1863,5mm 73,4"		-	-	-	-



Compartment	S1000 - 680		S1000 - 615	
Width	1000 mm	39,4 "	1000 mm	39,4 "
Depth	680 mm	26,8 "	615 mm	24,2 "
Height	402 mm	15,8 "	402 mm	15,8 "
Usable Area	6800 cm ²	1054 sq"	6150 cm ²	953 sq"

	3 tiers	4 tiers	5 tier	6 tiers	7 tiers	8 tiers
Height C	1906mm 75,0"	2470mm 97,2"	3034mm 119,4"	3598mm 141,6"	4162mm 163,8"	4726mm 186,0"
Height D	2149mm 84,6"	2713mm 106,8"	3277mm 129,0"	3841mm 151,2"	4405mm 173,4"	4969mm 195,6"

